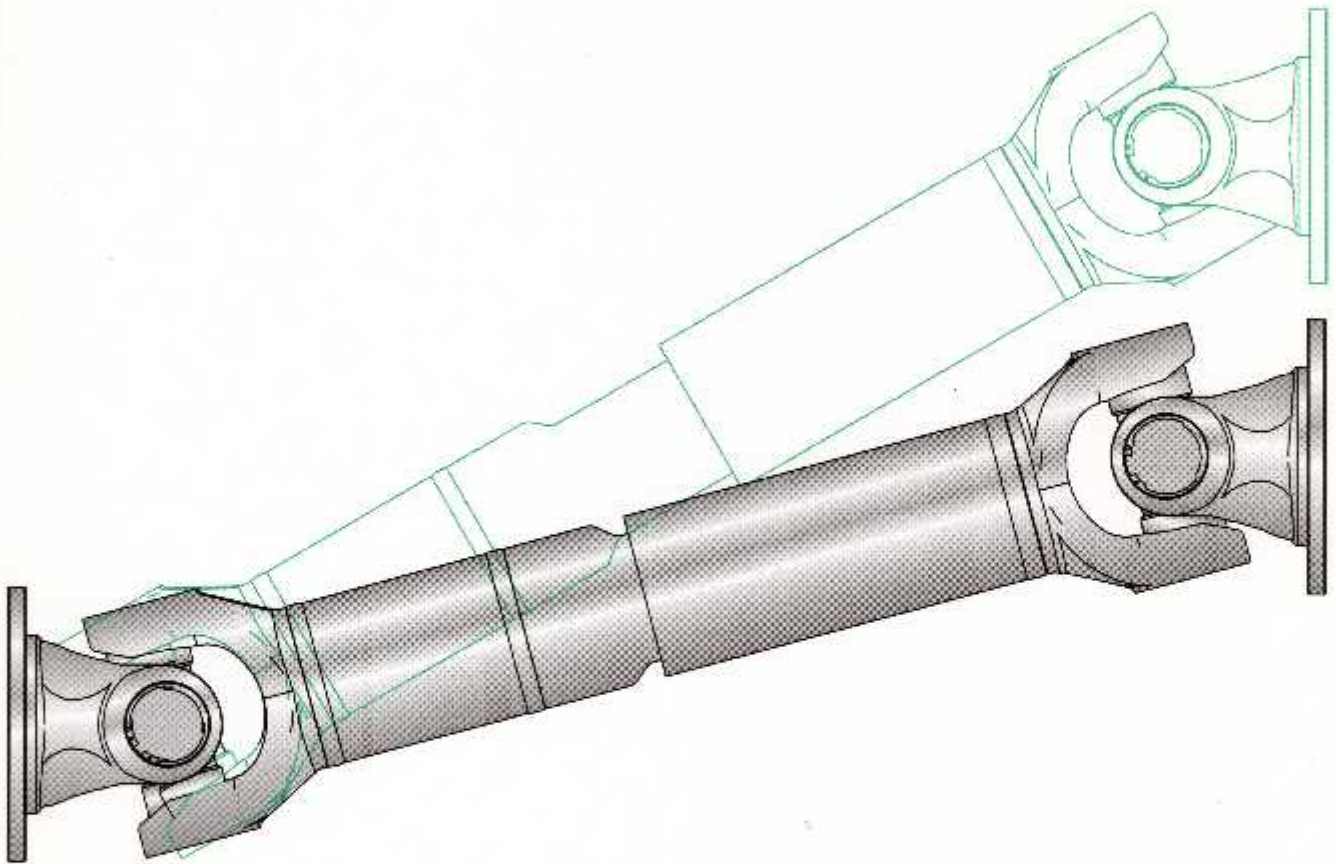


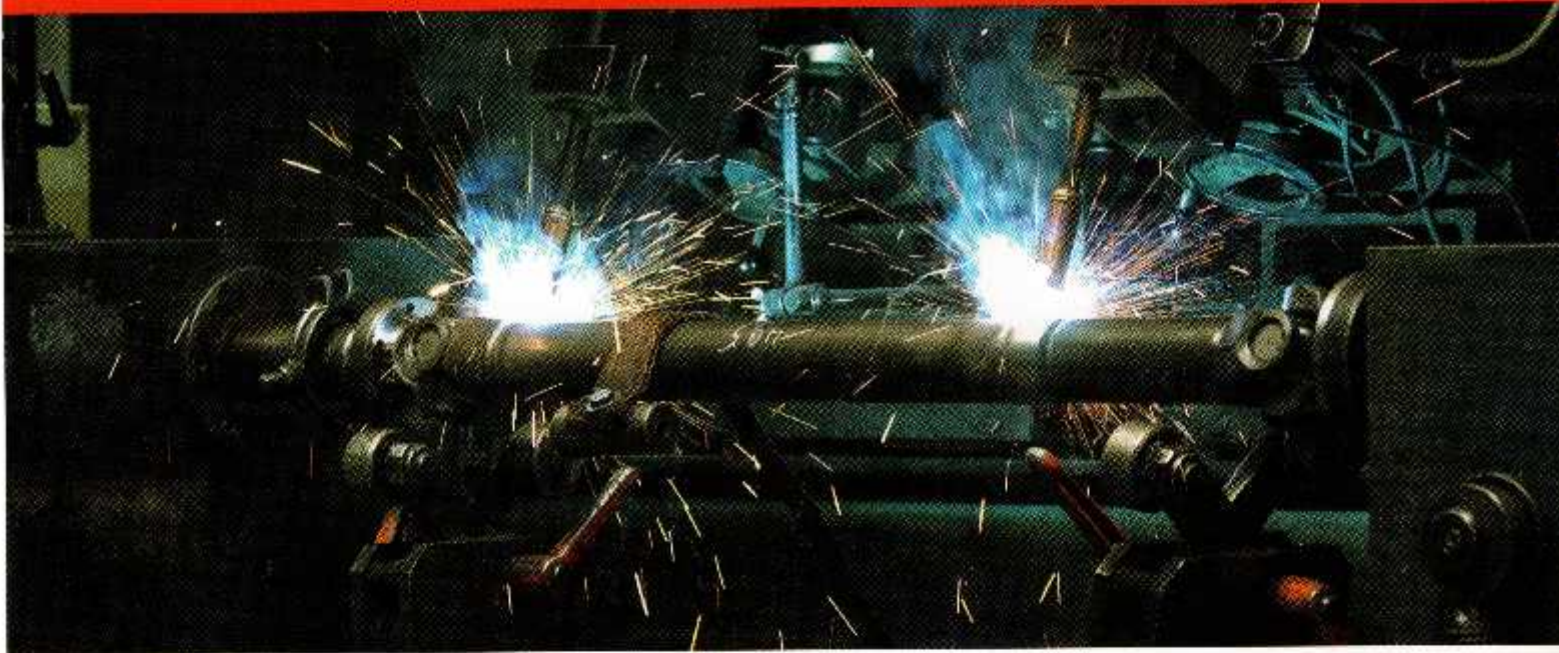
H O H N

Josef Hohn GmbH - cardan shafts



**Advance technology for
perfect power transmission ...**

... High performance cardan shafts from Hohn



High quality in-house production

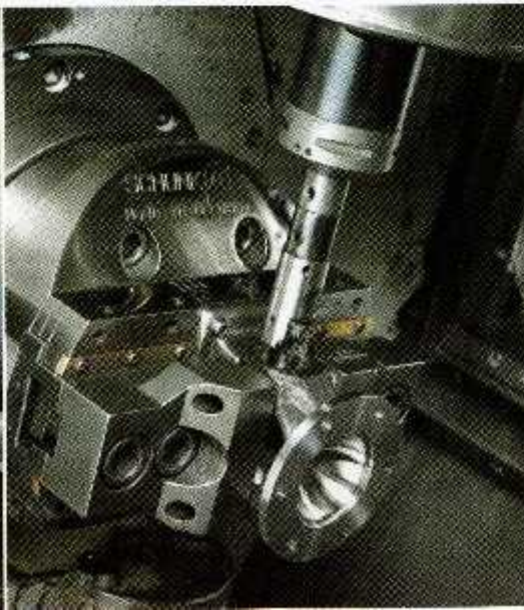
A wide range of products made in Germany

- Years of product expertise and knowledge
- In-house research & development
- Exceptional product quality
- Short lead time and quick response
- Flexible approach
- Competitive pricing

Avoid expensive commercial vehicles and machinery breakdown

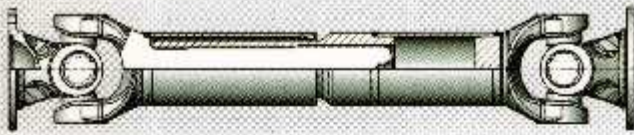
Using the inappropriate cardan shafts or components as well as unprofessional services can incur high costs. We therefore offer you our technical competence and expertise in choosing the right product for your application.

Our focus is to offer our clients customised solutions and technical support.



Product Range

Cardan shaft with length compensation



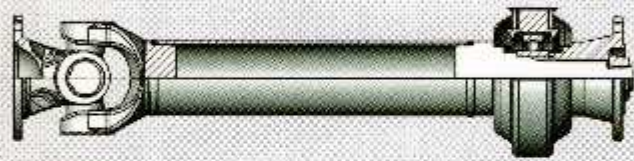
Cardan shaft with length compensation, lubricated or fully maintenance free version. High precision balancing capability, Rilsan coated and double sealed on Rilsan coating. Available in different types of flange connection, length extension with joint angle up to 35°. Extra short version is also available. Universal joints with needle or roller bearings, cross sectional washer and double sealed.

Cardan shaft without length compensation



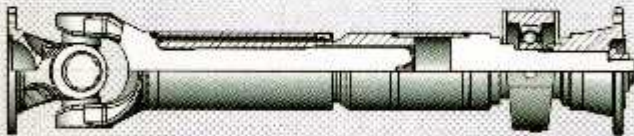
Cardan shaft without length compensation, lubricated or fully maintenance free version. Joint angle up to 35°. Available in different types of flange connection. Universal joints with needle or roller bearings, cross sectional washer and double sealed.

Midship cardan shaft without length compensation



Midship cardan shaft without length compensation with elastic bearing. Available in lubricated or fully maintenance free version, as well as different types of flange connection. Groove ball bearing with life time lubrication, additional labyrinth sealed. Available in different types of flange connection. Universal joints with needle or roller bearings, cross sectional washer and double sealed.

Midship cardan shaft with length compensation and fixed bearing



Midship cardan shaft with length compensation and fixed bearing, lubricated or fully maintenance free version. Available in different types of flange connection and fixed bearing. Universal joints with needle or roller bearings, cross sectional washer and double sealed.

Midship shaft with two bearings without length compensation



Midship shaft with two bearings without length compensation, with floating or fixed bearings. Available in lubricated or fully maintenance free version, as well as different types of flange connection. Customised designs according to different requirements.

Shaft assembly with length compensation and elastic midship bearing



Shaft assembly with length compensation and elastic midship bearing, lubricated or fully maintenance free version as well as different types of flange connection. High precision balancing capability and Rilsan coated. Universal joints with needle or roller bearings, cross sectional washer and double sealed.

Product Highlights

Technical Features

A number of Hohn cardan shaft sizes are available to meet every application. Choosing the right fitting will save weight, reduce inertia and extend the product life cycle.

Our high performance cardan shafts are fully maintenance free, the one-piece forged yoke with single forged process increases its durability and offers our customers the best possible quality.

Our quality control guarantees precise cardan shafts and components.

TUV Certificate & Environmental Friendly



Our cardan shafts and components are manufactured to a high standard according to ISO 9000-2006.

At the end of the product life cycle, our cardan shafts and components can be recycled to protect our environment.

Product Applications

Hohn cardan shafts are suitable for various industrial applications such as commercial vehicles, tractors, concrete mixers, construction machinery, fire fighting vehicles, paper and steel mills.

Customer Service

We offer our customers a full technical consulting service and customised solutions. We are also capable of producing according to just-in-sequence and just-in-time.

DEM

Mass series-production for commercial vehicles, machinery and various industrial applications according to customer demands.

Contact Mr. Rajsekhar

Mob: 056-6113456 Tel: 04-8820464

HRAD General Trading LLC
Unit#210, Mayfair Building, DIP,
PO Box # 239162
Dubai, UAE

Email : info@hraddubai.com



HRAD General Trading L.L.C

أتش ارايه دي للتجاره العامه ذ.م.م